



LD116

COMPACT LED LIGHT HEAD

Federal Signal Vama has expanded our line of directional lights for supplemental and perimetral warning to include a LED version, the LD116. This new compact light head (80x110mm) gives superior light output. Four different mounting systems and clear/coloured lenses are available for the widest possible installation choice - surface or swivel; black or chrome.

LD116 LED light heads shares the same rectangular design as our FD316, FD317, CD116 and CD117 light heads, making possible the combined installation of heads of different technologies (halogen/LEDs/strobe) while presenting a similar appearance.

- Compact, watertight LED warning light for supplemental warning of high luminosity, lens and housing are a single unit.
- High performance and low consumption LED diodes available in blue, amber and automotive red.
- Versions with blue, amber or red lenses for aesthetic match with FD and CD Series lights.
- Version with clear lens especially designed for undercover vehicles.
- Choose from 8 different flash patterns.
- The Master/Slave function allows to the user to flash synchronously from 2 to 6 lights and change Master mode to Slave mode.
- Interior or external installation for perimetral and supplemental warning of police vehicles and motorcycles, ambulances, firetrucks and other vehicles of emergency, highway maintenance and on-watch.
- Four kinds of mounting kits available: surface or swivel, black or chrome.
- 12V and 24V versions.

LD116 COMPACT LED LIGHT HEAD

Approvals

- The chromatic characteristics of the blue and amber light comply with UN R-65.

Technical specifications

Voltage	12 V - 24V
Led diameter	5 mm
Led number	52 leds (12V & 24V, blue colour) 60 leds (12V, amber and red colour) 54 leds (24V, amber and red colour)
Average intensity consumed per light	0.5 A - 0.3 A
Dimensions	110x80x23 mm
Weight	150gr

Mode	Frequency	Flash pattern	Synchronization (2 heads)
S-A	2Hz	Triple	Alternated
K-S	2Hz	Triple	Simultaneous
SAE-1	1,58Hz	Single	Alternated
SAE-2	3Hz	Single	Alternated
DOBLE-150	2,5Hz	Double	Alternated
INTELLI-AS	2Hz (4 cycles)	Single	Alternated
INTELLI-MX	2Hz (4 cycles)	Single	Simultaneous
	5Hz (2 cycles)	Triple	Simultaneous
	1Hz (2 cycles)	Triple	Simultaneous
7-FLASH	2 cycles of each (except 7-FLASH)	according mode active	according active mode

Compact LED light heads

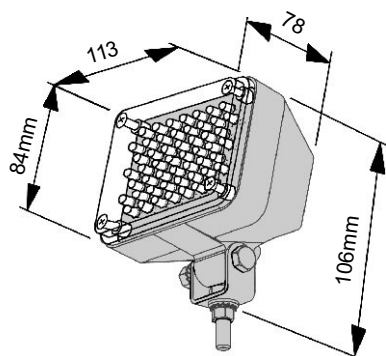
2010252	LD116, blue light, flasher incorporated, smooth lens, blue colour, 12V
2010251	LD116, blue light, flasher incorporated, smooth lens, clear colour, 12V
2010269	LD116, blue light, flasher incorporated, smooth lens, blue colour, 24V
2010258	LD116, amber light, flasher incorporated, smooth lens, amber colour, 12V
2010257	LD116, amber light, flasher incorporated, smooth lens, clear colour, 12V
2010271	LD116, amber light, flasher incorporated, smooth lens, amber colour, 24V
2010256	LD116, red light, flasher incorporated, smooth lens, red colour, 12V
2010259	LD116, red light, flasher incorporated, smooth lens, clear colour, 12V
2010270	LD116, red light, flasher incorporated, smooth lens, red colour, 24V

Accessories

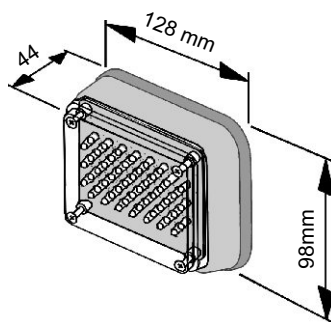
2010263	LD116-SB surface mounting kit, black colour
2010262	LD116-SC surface mounting kit, chrome colour
2010264	LD116-SWB swivel mounting kit, black colour
2010261	LD116-SWC swivel mounting kit, chrome colour

Spare parts

Spare parts are the same products.



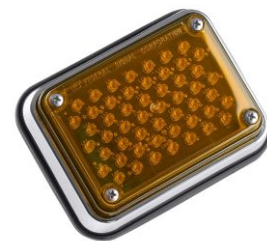
Swivel mounting kit installation



Surface mounting kit Installation



LD116, clear lens with surface mounting kit, black colour



LD116, amber lens with surface mounting kit, chrome colour



LD116, blue lens with swivel mounting kit, black colour



LD116, red lens with swivel mounting kit, chrome colour



An ISO 9001:2000 Certified Company
Dr. Ferrán, 7
08339 VILASSAR DE DALT
BARCELONA - SPAIN
Tel 34 93 741 79 32
Fax 34 93 753 78 23
Email: marketing@vama.es

www.fedsig.vama.es